

14 Digital Inputs
 10 Relay outputs
 2 Transistor outputs
 RS-485 Communication
 4 - 20mA Analog inputs
 0 - 10V Analog inputs
 W5500 Ethernet connectivity
 micro-SD Card support



Main

Range of product	NORVI ARITA
Product type	Programmable Controller
Rated supply voltage	24V DC
Discrete input number	14 discrete input , interrupts configurable on each input
Discrete output type	Relay and Transistor
Discrete output number	10 Relay outputs , 2 Transistor outputs
Discrete output voltage	24V DC for transistor output
Discrete output current	0.5A with T0.0... T0.1 Transistor 2 A with R0....R4 and Q0....Q4 Relay outputs

Complementary

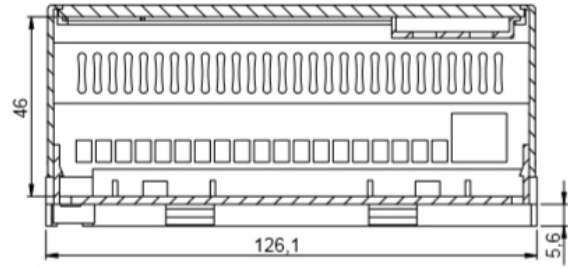
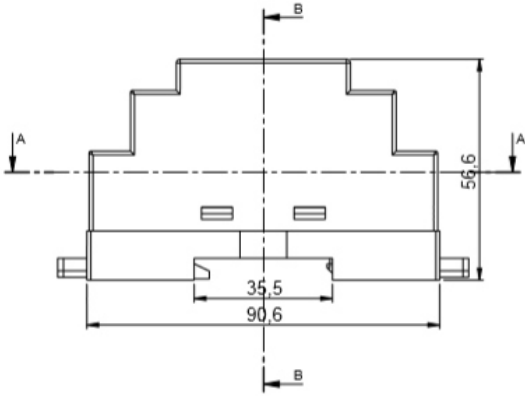
Discrete IO number	26
Number of Expansions	4
Supply voltage limits	20.4....28.8V
Inrush current	<=50A
Power consumption in W	32.6.....40.4 with all outputs ON
Discrete logic input	Sink or source
Discrete input voltage	24V
Discrete input voltage type	DC
Voltage state 1 guaranteed	>=15 V for input
Voltage state 0 guaranteed	<=5 V for input
Discrete input current	5 mA for input
Input impedance	4.7k Ohm for input
Memory capacity	Refer datasheet of base micro-controller
Battery type	lithium non rechargeable *Model 8 Only
Backup time	2 years at 25°C *Model 8 Only

Local signalling	1 LED green for PWR 1 LED green for RUN 14 LED green for I0.....I14 10 LED green for Q0.....Q4 and R0.....R4 2 LED green for T0....T1
Electrical connection	Removable screw terminal block for inputs and outputs (pitch 5.08 mm)
Mounting support	Top hat type TH35-15 rail conforming to IEC 60715 Top hat type TH35-7.5 rail conforming to IEC 60715 Plate or panel with fixing kit
Height	86.60 mm
Depth	56.60 mm
Width	122.10 mm
Product weight	0.43 Kg

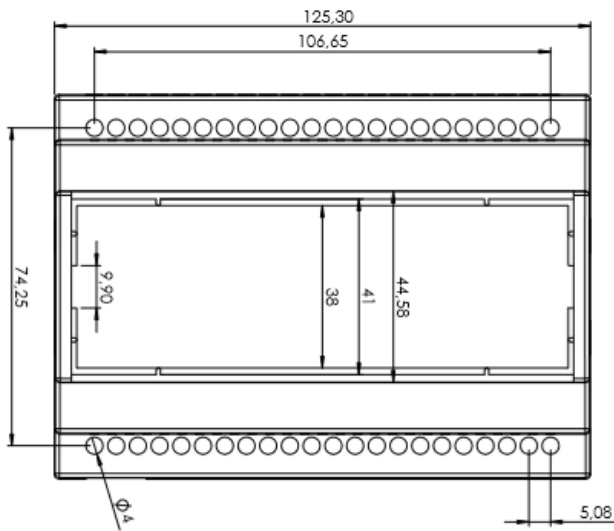
Environment

Resistance to electrostatic discharge	4kV on contact 8kV on air
Resistance to electro magnetic fields	10 V/m (80 MHz 1GHz) 3 V/m (1.4 MHz 2 GHz) 1 V/m (2 MHz 3 GHz)
Immunity to microbreaks	10 ms
Relative humidity	10....95% without condensation in operation
IP degree of protection	IP20
Operating altitude	0...2000m
Storage altitude	0...3000m
Shock resistance	15 gn for 11 ms

Dimensions

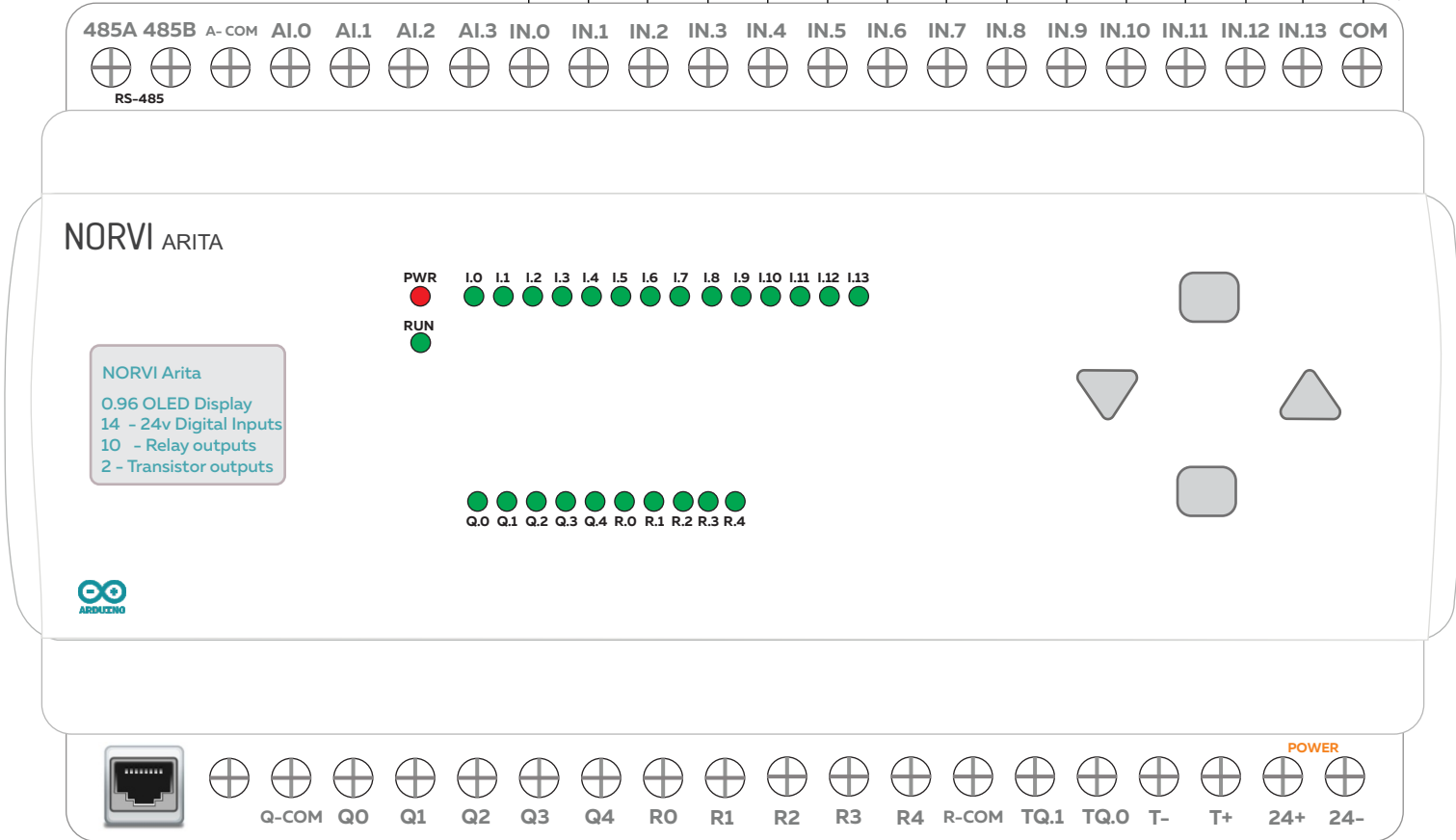
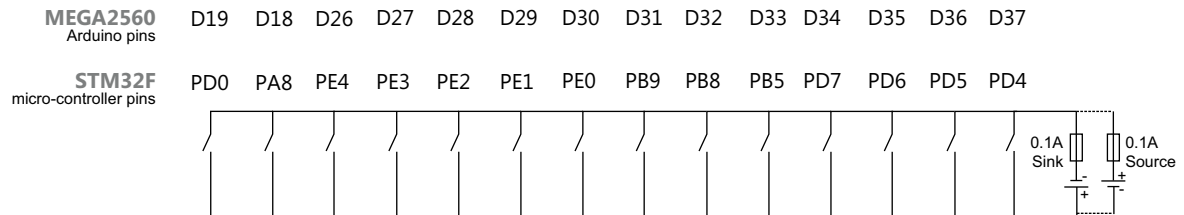


SECTION B-B
SCALE 1 : 1



Digital inputs wiring diagram

24V DC Sink/Source



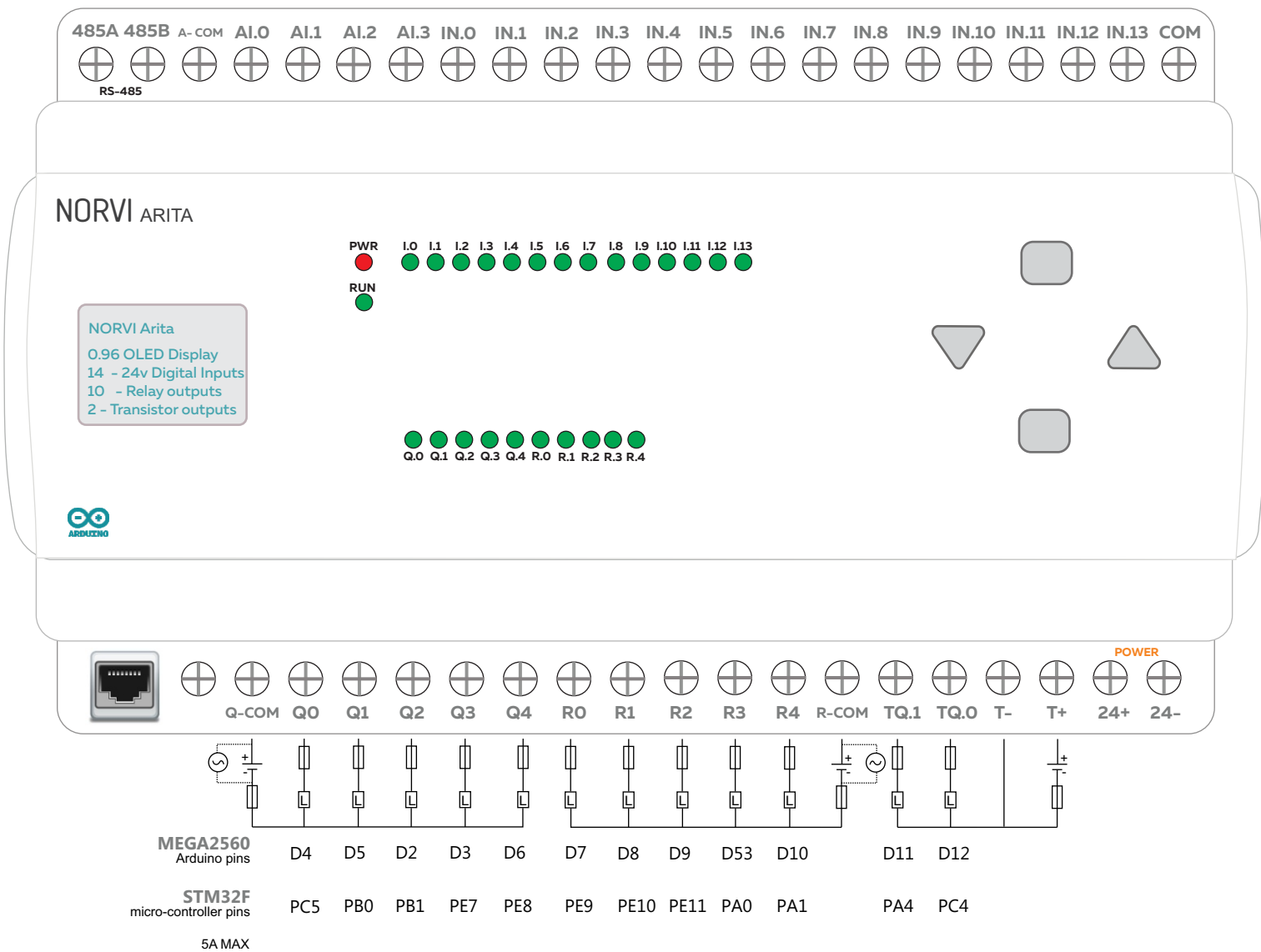
Product data sheet

Connections and Schema

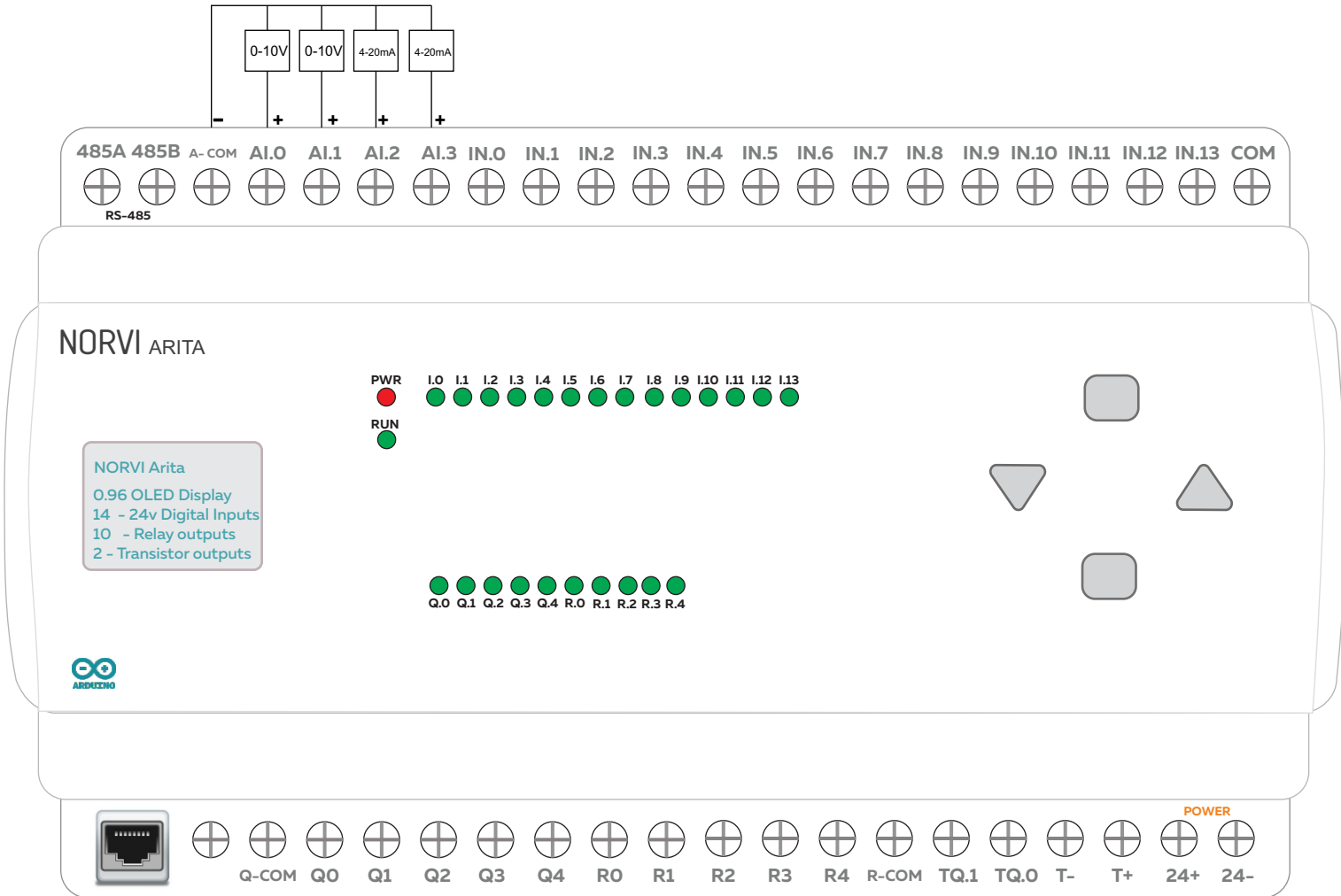
NORVI ARITA

STM32F103VCT6 | ATMEGA 2560

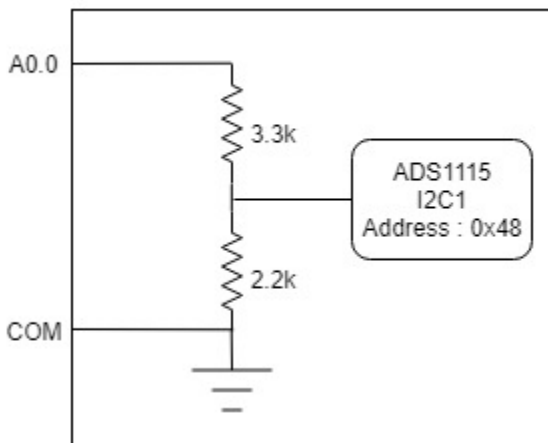
Relay and Transistor outputs wiring diagram



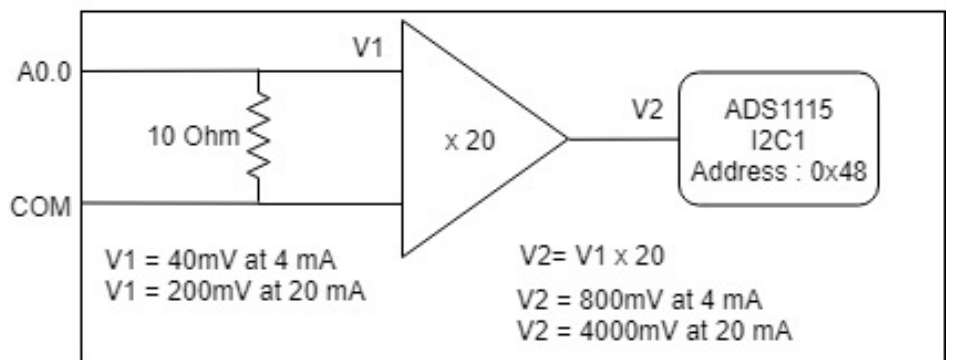
Analog input wiring diagram



0 -10 V input to 0 - 4V



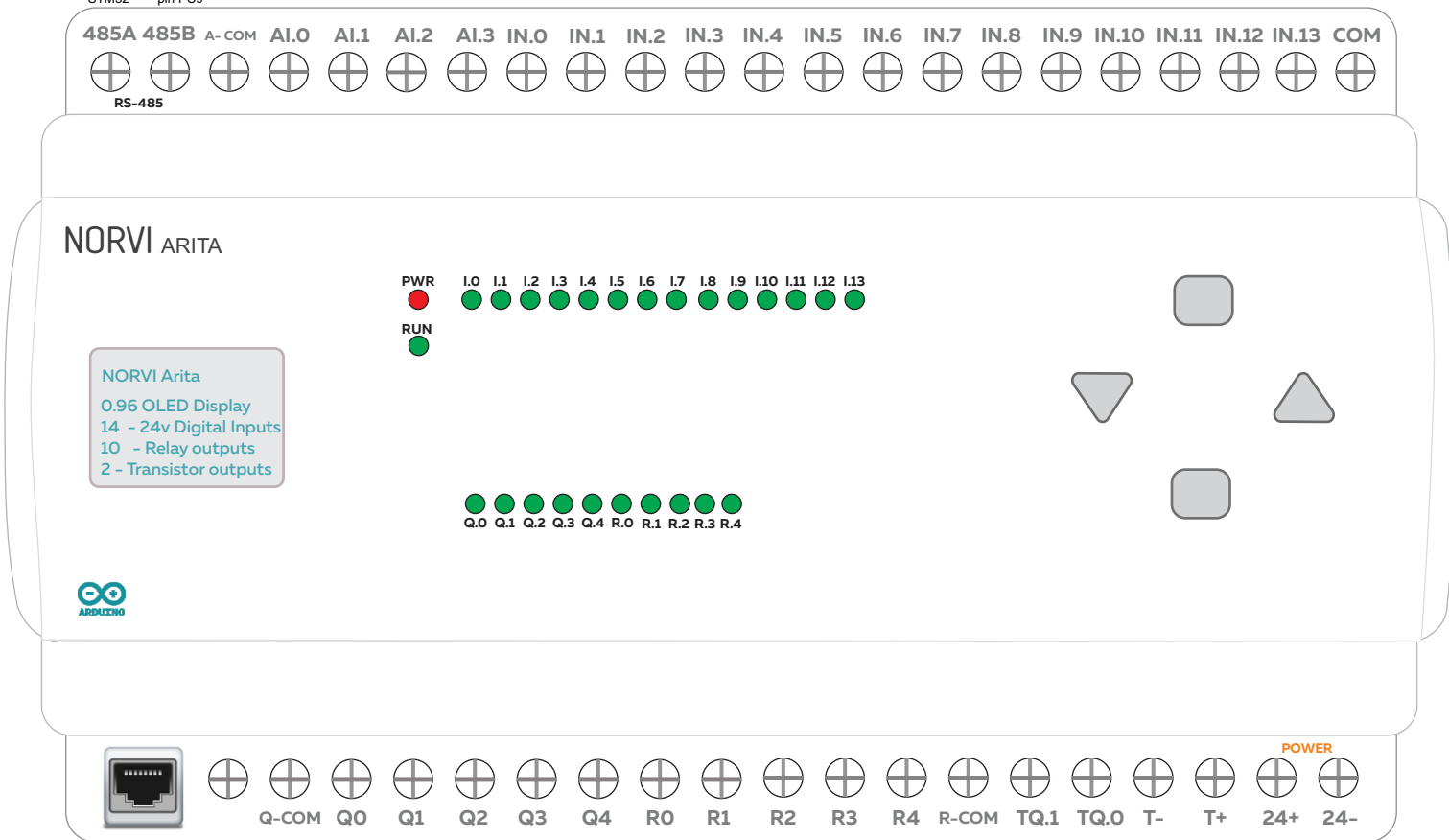
0 -10 V input to 0 - 4V



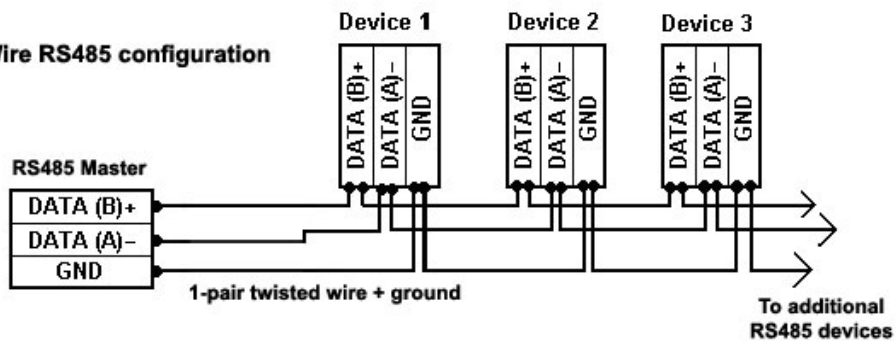
RS-485 communication wiring diagram

HALF-DUPLEX

Flow control pin
MEGA2560 pin D42
STM32 pin PC9



2-Wire RS485 configuration



Product data sheet

Connections and Schema

NORVI ARITA

STM32F103VCT6 | ATMEGA 2560

Integrated OLED Display and Buttons

